

60cm multi-function 8/8 stainless steel double oven with AirFry, 80L gross capacity, touch control timer and triple glazed doors.

RRP AUS \$3,699.00



Product Details

FEATURES

AirFry	Programmable timer	Telescopic runners	Easy guide side racks
80L/80L gross capacity	Fingerprint resistant stainless steel Enjoy easy cleaning with smudge-free stainless steel and removable knobs	Dual Cavity for a bigger capacity Dual Cavity offers energy efficient cooking with more space.	Multifunction Oven Multifunction cooking easily caters to any meal or occasion.

BENEFITS

<p>AirFry for that perfect, healthy crunch When a food craving hits, make healthier and delicious food right in your oven. Deliver all the flavour and none of the guilt. AirFry allows you to make healthier, tasty meals for the entire family right in your oven.</p>	<p>Programmable timer The programmable timer gives the ability to plan your start and finish cooking time to the minute.</p>
<p>Designed for ease and safety Telescopic runners are another piece of thoughtful design that makes it easy to draw racks out and safely check on your dishes during cooking.</p>	<p>Place your shelves in with ease Our easy guide side racks allow you to place your oven shelves in with ease.</p>
<p>Cooler to touch oven doors Beautifully designed with Australian families in mind, the multi-layer glazing of our oven doors are cooler to the touch when the oven is hot.</p>	<p>Built in Australia Westinghouse, has been the heart of the home for generations and the kitchen appliance brand we have always known and trusted to build reliable products. This oven is built in a local factory in Adelaide.</p>

Specifications

PRODUCT PROFILE

Domestic warranty details (yrs)	2
Type of Oven	double oven
Oven fuel	electric
Materials/Colour	stainless steel
Controls of Oven	control knob
Cooling fan	Yes

FLUSH FIT CUT OUT

Flush fit cut out height (mm)	1086
Flush fit cut out width (mm)	600
Flush fit cut out depth (mm)	581

MAIN OVEN

DIMENSIONS

PRODUCT DIMENSION

Total height (mm)	1083
Total width (mm)	596
Total depth (mm)	573

PROUD FIT CUT OUT

Proud fit cut out height (mm)	1078
Proud fit cut out width (mm)	565
Proud fit cut out depth (mm)	560

SECOND OVEN OR GRILL

MAIN OVEN

Gross capacity litres	80
Useable capacity litres	72
Oven function	multifunction
Number of functions	8
Oven Functions	rapid heat,defrost,base heat,bake/pizza,grill,fan grill,maxi grill,fan forced cooking,AirFry
Timer functions	minute minder,Cook time,End time,Delayed start,Time of day,24 hour clock

ELECTRICAL CONNECTION

Connected load KW	6.2
Maximum current rating (amps)	25.8
Type of connection	hardwired

SECOND OVEN OR GRILL

Gross capacity litres	80
Useable capacity litres	72
Oven functions	multifunction
Number of functions	8
Oven Functions	grill,fan grill,defrost,rapid heat,maxi grill,base heat,bake/pizza,fan forced cooking
Fold down grill element	Yes
Closed door grilling	Yes

OTHER FEATURES

Cleaning	easy clean door
Door	drop down,removable door,removable inner glass panes,cool door
Timer	3 button touch control programmable timer
Lights	6
Light wattage	25

OTHER FEATURES

Light position	side and rear
Telescopic runners	one
Shelf support	Easy glide side racks
Number of shelves	4
Safety features	cool door
Closed door grilling	Yes
Fold down grill element	Yes
Included accessories	baking tray,grill insert,grill dish,AirFry tray
Layers of glass in door	3
Number of shelf positions	10

SHIPPING

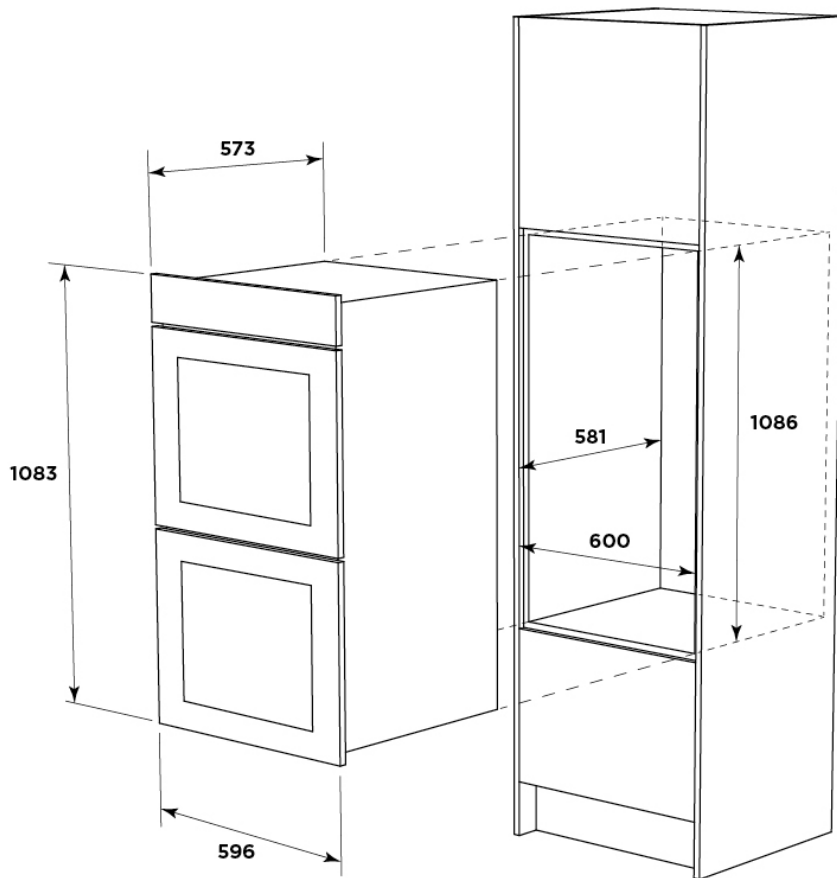
Shipping Weight (Kg)	72
Pack Dimensions Height (mm)	1150
Pack Dimension Width (mm)	635

SHIPPING

Pack Dimension Depth (mm)	670
------------------------------	-----

Dimensions

WVE636SC



IMPORTANT

These dimensions are a guide only. All measurements are in millimetres (mm).
For complete installation instructions, refer to the manual provided with product.