

60cm multi-function 8/5 stainless steel duo oven with rotary controls, 80L gross capacity, touch control timer and triple glazed doors.

RRP AUS \$2,299.00



Product Details

FEATURES

Fast Heat Up

Programmable timer

Easy guide side racks

Cooler to Touch Doors

80/46L gross capacity

Fingerprint resistant stainless steel
Enjoy easy cleaning with smudge-free stainless steel and removable knobs

Dual Cavity for a bigger capacity
Dual Cavity offers energy efficient cooking with more space.

Multifunction Oven
Multifunction cooking easily caters to any meal or occasion.

BENEFITS

Dinner's done sooner with our fast heat up oven
Why wait longer? Our fast oven heat up means you can get on with the job of getting dinner on the table sooner.

Programmable timer
The programmable timer gives the ability to plan your start and finish cooking time to the minute.

Designed to use maximum capacity
Our step down shelves are designed to ensure you can use every centimetre of available height and space in your oven.

Cooler to touch oven doors
Beautifully designed with Australian families in mind, the multi-layer glazing of our oven doors are cooler to the touch when the oven is hot.

Fingerprint resistant stainless steel
Fingerprints have met their match. Enjoy a family-friendly oven with stainless steel that really is stainless. It's effortless to keep your oven looking like new with our easy-to-clean, smudge-free stainless steel.

Built in Australia
Westinghouse, has been the heart of the home for generations and the kitchen appliance brand we have always known and trusted to build reliable products. This oven is built in a local factory in Adelaide.

Specifications

PRODUCT PROFILE

Domestic warranty details (yrs)	2
Type of Oven	duo oven
Oven fuel	electric
Materials/Colour	stainless steel
Controls of Oven	control knob
Cooling fan	Yes

FLUSH FIT CUT OUT

Flush fit cut out height (mm)	893
Flush fit cut out width (mm)	600
Flush fit cut out depth (mm)	581

MAIN OVEN

DIMENSIONS

PRODUCT DIMENSION

Total height (mm)	890
Total width (mm)	596
Total depth (mm)	573

PROUD FIT CUT OUT

Proud fit cut out height (mm)	885
Proud fit cut out width (mm)	565
Proud fit cut out depth (mm)	560

SECOND OVEN OR GRILL

MAIN OVEN

Gross capacity litres	80
Useable capacity litres	72
Oven function	multifunction
Number of functions	8
Oven Functions	rapid heat,defrost,base heat,bake/pizza,grill,fan grill,maxi grill,fan forced cooking
Timer functions	minute minder,Cook time,End time,Delayed start,Time of day,24 hour clock

ELECTRICAL CONNECTION

Connected load KW	5.3
Maximum current rating (amps)	22.1
Type of connection	hardwired

SECOND OVEN OR GRILL

Gross capacity litres	46
Useable capacity litres	38
Oven functions	multifunction
Number of functions	5
Oven Functions	grill,fan assist bake,traditional bake,fan grill,defrost
Fold down grill element	Yes
Closed door grilling	Yes

OTHER FEATURES

Cleaning	easy clean door
Door	drop down,removable door,removable inner glass panes,cool door
Timer	3 button touch control programmable timer
Lights	4
Light wattage	25
Light position	side and rear

OTHER FEATURES

Shelf support	Easy glide side racks
---------------	-----------------------

Number of shelves	3
-------------------	---

Safety features	cool door
-----------------	-----------

Closed door grilling	Yes
----------------------	-----

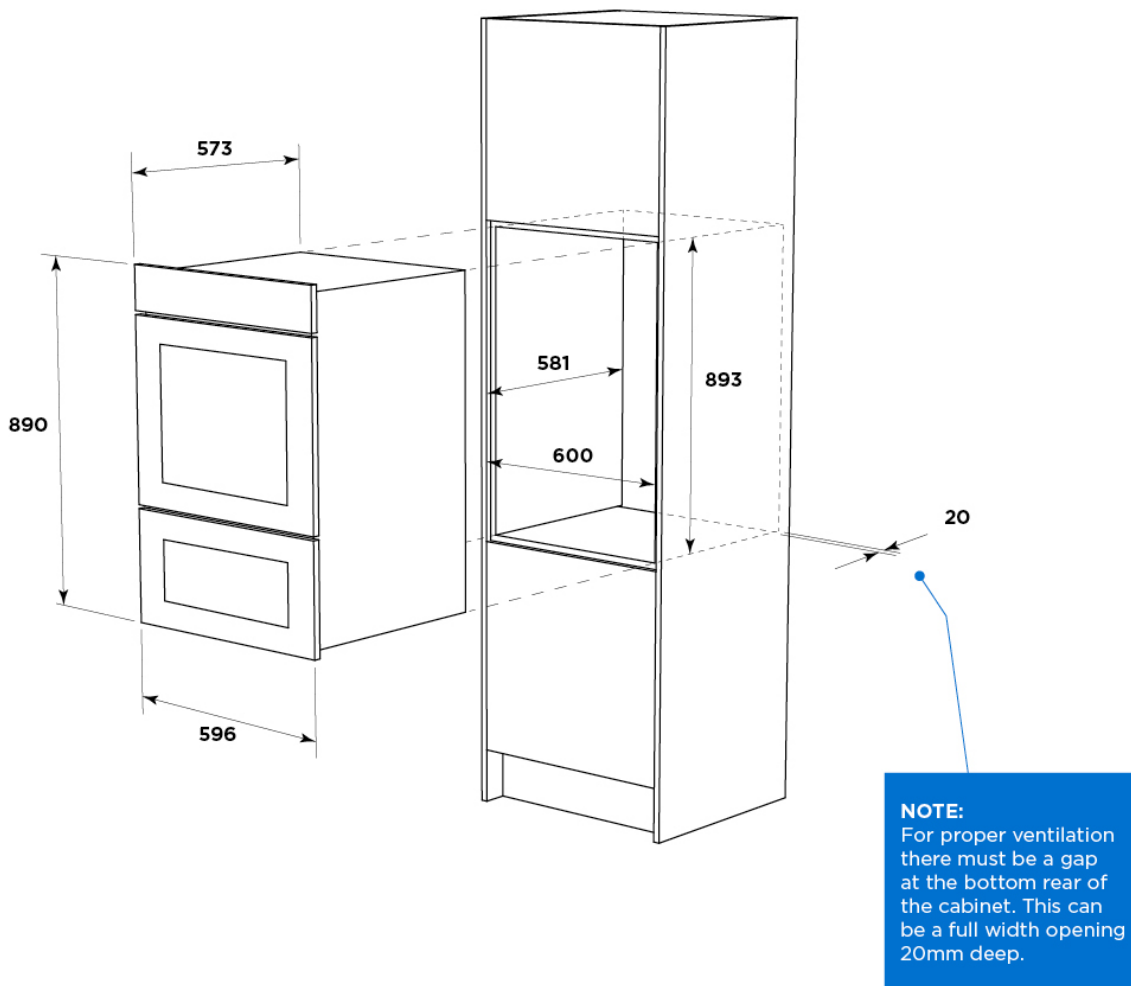
Fold down grill element	Yes
-------------------------	-----

Included accessories	baking tray,side racks,3 x chromed wired shelves,grill insert
----------------------	---

Layers of glass in door	3
-------------------------	---

Number of shelf positions	8
---------------------------	---

Dimensions



IMPORTANT

These dimensions are a guide only. All measurements are in millimetres (mm). For complete installation instructions, refer to the manual provided with product.