

60cm multi-function 7 white oven with fast heat up, programmable timer and 80L gross capacity.
RRP AUS \$999.00



Product Details

FEATURES

Fast Heat Up

Programmable oven timer

Easy guide side racks

Cooler to Touch Doors

80L gross capacity

BENEFITS

Dinner's done sooner with our fast heat up oven
Why wait longer? Our fast oven heat up means you can get on with the job of getting dinner on the table sooner.

You set, we will do the rest
Our programmable timer gives you the flexibility to set when you would like to cook and how long you would like to cook for.

Place your shelves in with ease
Our easy guide side racks allow you to place your oven shelves in with ease.

Cooler to touch oven doors
Beautifully designed with Australian families in mind, the multi-layer glazing of our oven doors are cooler to the touch when the oven is hot.

Family meals made easy
With room for the family roast or a delicious dessert, our 80L capacity in our 60cm oven range gives you to make every mealtime easy and full of flavour.

Built in Australia
Westinghouse, has been the heart of the home for generations and the kitchen appliance brand we have always known and trusted to build reliable products. This oven is built in a local factory in Adelaide.

Specifications

PRODUCT PROFILE

Domestic warranty details (yrs)	2
Type of Oven	single oven
Oven fuel	electric
Materials/Colour	white glass
Controls of Oven	3 button touch control LED,control knob
Cooling fan	Yes

FLUSH FIT CUT OUT

Flush fit cut out height (mm)	600
Flush fit cut out width (mm)	600
Flush fit cut out depth (mm)	581

MAIN OVEN

DIMENSIONS

PRODUCT DIMENSION

Total height (mm)	597
Total width (mm)	596
Total depth (mm)	573

PROUD FIT CUT OUT

Proud fit cut out height (mm)	590
Proud fit cut out width (mm)	565
Proud fit cut out depth (mm)	560

ELECTRICAL CONNECTION

MAIN OVEN

Gross capacity litres	80
-----------------------	----

Useable capacity litres	72
-------------------------	----

Oven function	multifunction
---------------	---------------

Number of functions	7
---------------------	---

Oven Functions	fan grill,defrost,traditional bake,pizza,rapid heat,grill,fan forced cooking
----------------	--

Oven liner	pyrolux high temperature enamel
------------	---------------------------------

Timer functions	minute minder,Cook time,End time,Delayed start,24 hour clock,Auto off
-----------------	---

Light wattage	25
---------------	----

OTHER FEATURES

Door	drop down,removable door,removable inner glass panes,cool door
------	--

Timer	3 button touch control programmable timer
-------	---

Lights	1
--------	---

Light wattage	25
---------------	----

ELECTRICAL CONNECTION

Connected load KW	3.0
-------------------	-----

Maximum current rating (amps)	12.7
-------------------------------	------

Type of connection	hardwired
--------------------	-----------

SHIPPING

Shipping Weight (Kg)	33.5
----------------------	------

Pack Dimensions Height (mm)	665
-----------------------------	-----

Pack Dimension Width (mm)	635
---------------------------	-----

Pack Dimension Depth (mm)	670
---------------------------	-----

OTHER FEATURES

Light position	rear
----------------	------

Shelf support	Easy glide side racks
---------------	-----------------------

Number of shelves	2
-------------------	---

Safety features	cool door
-----------------	-----------

Closed door grilling	Yes
----------------------	-----

Fold down grill element	Yes
-------------------------	-----

Included accessories	grill/oven pan, 2 x chromed wire shelf, side racks, baking tray, grill insert
----------------------	---

Layers of glass in door	2
-------------------------	---

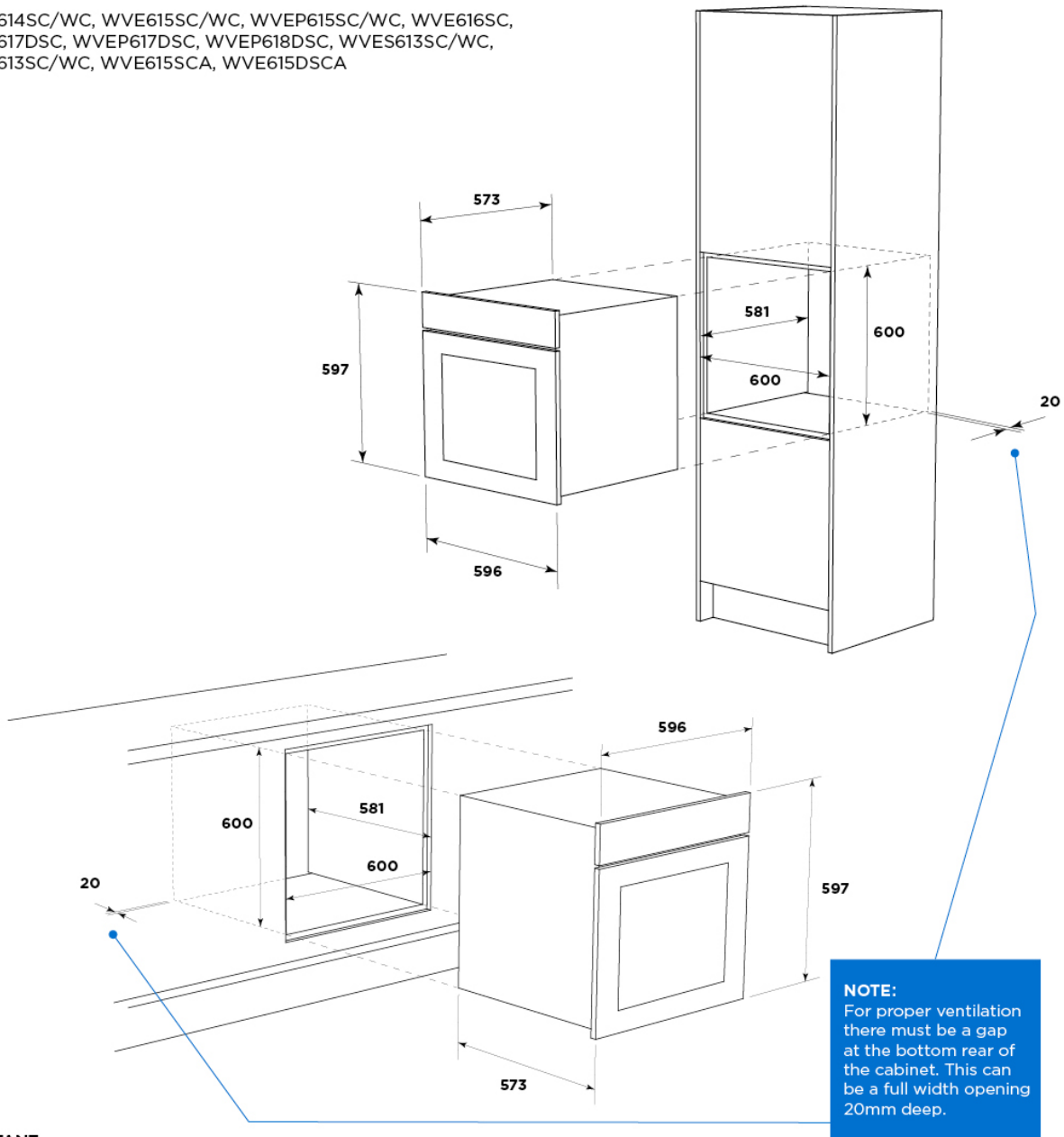
Number of shelf positions	5
---------------------------	---

STUFFING QUANTITIES

40ft	96
------	----

Dimensions

WVE614SC/WC, WVE615SC/WC, WVEP615SC/WC, WVE616SC,
WVE617DSC, WVEP617DSC, WVEP618DSC, WVES613SC/WC,
WVE613SC/WC, WVE615SCA, WVE615DSCA



NOTE:
For proper ventilation there must be a gap at the bottom rear of the cabinet. This can be a full width opening 20mm deep.

IMPORTANT

These dimensions are a guide only. All measurements are in millimetres (mm). For complete installation instructions, refer to the manual provided with product.