

**60cm multi-function 5 white oven with a 2 hour auto-off timer, knob controls and 80L gross capacity.**  
RRP AUS \$899.00



## Product Details

### FEATURES

---

2 hour auto-off oven timer

Easy guide side racks

Operates on a standard 10A power supply

Cooler to Touch Doors

---

80L gross capacity

---

### BENEFITS

---

#### 2 Hour Timer

Simple to operate, the two hour timer gives you flexibility when cooking and rings when the selected program time lapses.

#### Place your shelves in with ease

Our easy guide side racks allow you to place your oven shelves in with ease.

---

#### Cooler to touch oven doors

Beautifully designed with Australian families in mind, the multi-layer glazing of our oven doors are cooler to the touch when the oven is hot.

#### Family meals made easy

With room for the family roast or a delicious dessert, our 80L capacity in our 60cm oven range gives you to make every mealtime easy and full of flavour.

---

#### Built in Australia

Westinghouse, has been the heart of the home for generations and the kitchen appliance brand we have always known and trusted to build reliable products. This oven is built in a local factory in Adelaide.

---

## Specifications

### PRODUCT PROFILE

---

Domestic warranty details (yrs)	2
---------------------------------	---

---

Type of Oven	single oven
--------------	-------------

---

Oven fuel	electric
-----------	----------

---

Materials/Colour	white glass
------------------	-------------

---

Controls of Oven	control knob
------------------	--------------

---

Cooling fan	Yes
-------------	-----

---

### FLUSH FIT CUT OUT

---

Flush fit cut out height (mm)	600
-------------------------------	-----

---

Flush fit cut out width (mm)	600
------------------------------	-----

---

Flush fit cut out depth (mm)	581
------------------------------	-----

---

### MAIN OVEN

### DIMENSIONS

---

#### PRODUCT DIMENSION

---

Total height (mm)	597
-------------------	-----

---

Total width (mm)	596
------------------	-----

---

Total depth (mm)	573
------------------	-----

---

### PROUD FIT CUT OUT

---

Proud fit cut out height (mm)	590
-------------------------------	-----

---

Proud fit cut out width (mm)	565
------------------------------	-----

---

Proud fit cut out depth (mm)	560
------------------------------	-----

---

### ELECTRICAL CONNECTION

## MAIN OVEN

---

Gross capacity litres	80
-----------------------	----

---

Useable capacity litres	72
-------------------------	----

---

Oven function	multifunction
---------------	---------------

---

Number of functions	5
---------------------	---

---

Oven Functions	grill,fan grill,defrost,light,fan forced cooking
----------------	--

---

Oven liner	pyrolux high temperature enamel
------------	---------------------------------

---

Timer functions	Auto off ,Ringer
-----------------	------------------

---

Light wattage	25
---------------	----

---

## OTHER FEATURES

---

Door	removable door,removable inner glass panes,drop down,cool door
------	--

---

Timer	120 minute auto off timer
-------	---------------------------

---

Lights	1
--------	---

---

Light wattage	25
---------------	----

---

Light position	rear
----------------	------

---

## ELECTRICAL CONNECTION

---

Connected load KW	2.3
-------------------	-----

---

Maximum current rating (amps)	9.6
-------------------------------	-----

---

Type of connection	hardwired
--------------------	-----------

---

## SHIPPING

---

Shipping Weight (Kg)	33.0
----------------------	------

---

Pack Dimensions Height (mm)	665
-----------------------------	-----

---

Pack Dimension Width (mm)	635
---------------------------	-----

---

Pack Dimension Depth (mm)	670
---------------------------	-----

---

## OTHER FEATURES

---

Shelf support	Easy glide side racks
---------------	-----------------------

---

Number of shelves	2
-------------------	---

---

Safety features	cool door
-----------------	-----------

---

Closed door grilling	Yes
----------------------	-----

---

Fold down grill element	Yes
-------------------------	-----

---

Included accessories	grill/oven pan,2 x chromed wire shelf,side racks,grill insert
----------------------	---

---

Layers of glass in door	2
-------------------------	---

---

Number of shelf positions	5
---------------------------	---

---

## STUFFING QUANTITIES

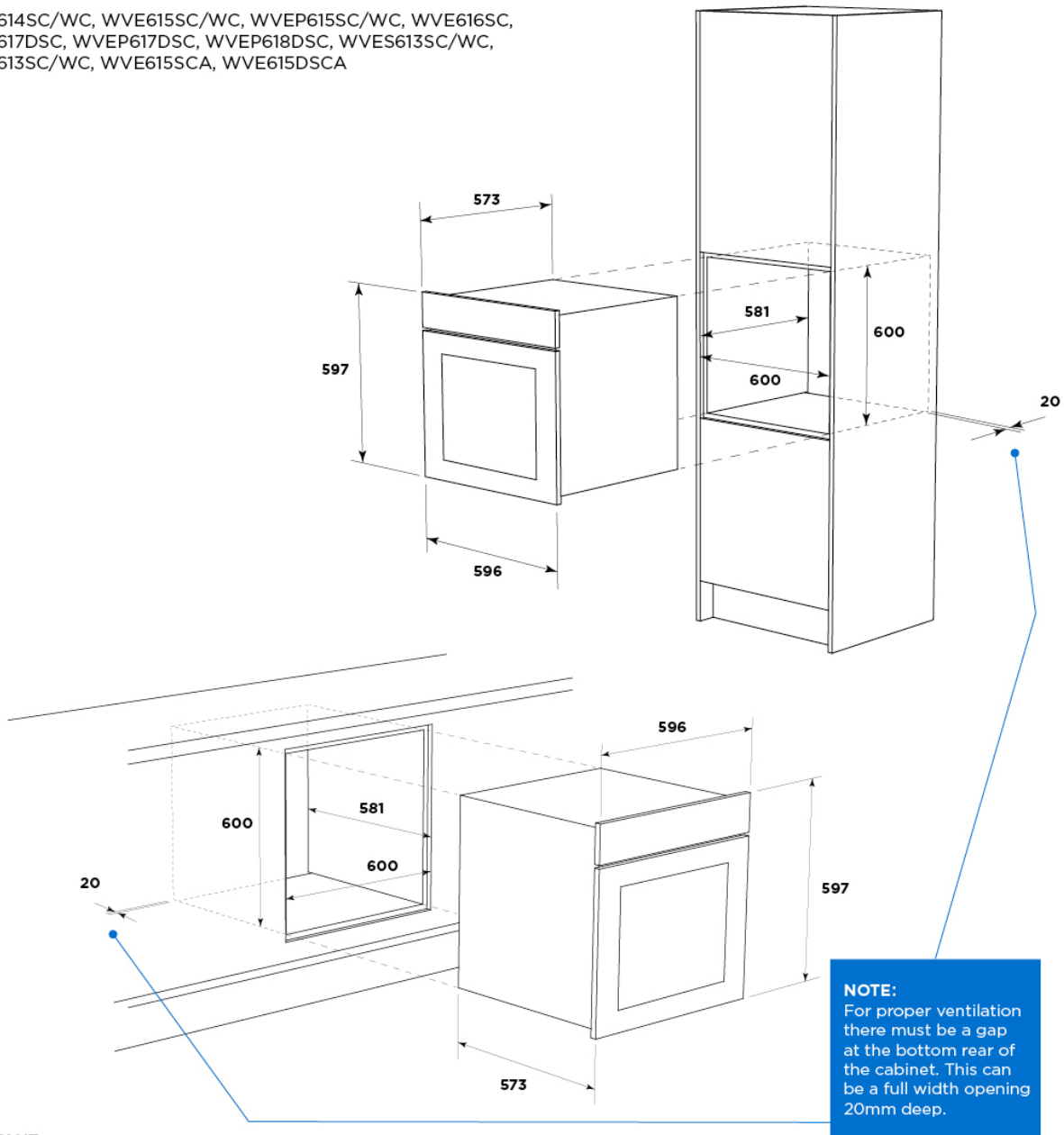
---

40ft	153
------	-----

---

## Dimensions

WVE614SC/WC, WVE615SC/WC, WVEP615SC/WC, WVE616SC,  
WVE617DSC, WVEP617DSC, WVEP618DSC, WVES613SC/WC,  
WVE613SC/WC, WVE615SCA, WVE615DSCA



**IMPORTANT**

These dimensions are a guide only. All measurements are in millimetres (mm). For complete installation instructions, refer to the manual provided with product.