

**60cm white electric freestanding cooker with separate electric grill, fan forced electric oven, 120 minute timer with ringer and a 4 zone ceramic cooktop with dual zone.**

RRP AUS \$2,399.00



## Product Details

### FEATURES

---

Electric fan forced oven

Handy separate grilling compartment

2 hour mechanical timer

Easy reach rear controls

---

Easy clean formed shelf supports

80L/32L capacity oven/grill

Ceramic cooktop

Dual Zone

---

Power on indicator indicates if power is on to provide peace of mind

---

### BENEFITS

---

#### Fan forced for even cooking

When it comes to cooking, one of the biggest is even heat distribution over your dishes. By using fan forced cooking you are able to create an even cooking result.

#### Grill separately for smooth entertaining

The separate grilling compartment on selected models means you can entertain guests and cook big family meals with absolute ease and without compromising on precious oven space.

---

#### Set for 2 hours and it will ring

The mechanical timer keeps track of your cooking time for 2 hours with a ringer to let you know you are ready to restart the timer or finish your dish.

#### Rear control for safety

Our rear control is easy to reach and angled to keep your cookers control away from smaller hands.

---

#### More versatility with variable zones

Sometimes you are cooking for two and other times it's for five. With Dual Zone functionality you are able to adjust to your chosen pot or pan size with ease.

#### Know when it is hot

The hot surface indicator allows you to clearly see when your cooking zones are on or still retaining residual heat, allowing you to keep your family safe

---

## Specifications

### PRODUCT PROFILE

---

Domestic warranty details (yrs)	2
Oven fuel	electric
Materials/Colour	white
Controls of Oven	control knob
Cooling fan	No
Plinth colour (kickboard)	white
Anti tilt plate	Yes
Swept up hob	Yes
Front/rear controls	rear

### MAIN OVEN

---

Gross capacity litres	80
Useable capacity litres	74
Oven function	fan forced

### DIMENSIONS

---

#### PRODUCT DIMENSION

---

Total height (mm)	1150
Total width (mm)	596
Total depth (mm)	620

### SECOND OVEN OR GRILL

---

Fold down grill element	Yes
Closed door grilling	No
Shelf support	side rack

## MAIN OVEN

---

Oven liner	enamel
Lights	1
Light position	rear
Layers of glass in door	2
Shelf support	easy clean formed shelf supports
Number of shelves	2
Number of shelf positions	5

## ELECTRICAL CONNECTION

---

Connected load KW	10.5
Type of connection	hardwired

## STUFFING QUANTITIES

## SECOND OVEN OR GRILL

---

Number of shelves	1
-------------------	---

## SHIPPING

---

Shipping Weight (Kg)	50
Pack Dimensions Height (mm)	1235
Pack Dimension Width (mm)	635
Pack Dimension Depth (mm)	580

## COOKTOP (IF APPLICABLE)

---

## STUFFING QUANTITIES

---

40ft	96
------	----

---

40ft HC	120
---------	-----

---

## ELEMENTS/BURNERS

---

Cooking zones	4
---------------	---

---

## LEFT REAR ZONE

---

Left rear zone	ceramic
----------------	---------

---

Left rear watts	1200
-----------------	------

---

Left rear number of cooking zones	1
-----------------------------------	---

---

## RIGHT REAR ZONE

---

Right rear watts	1800
------------------	------

---

Right rear number of cooking zones	1
------------------------------------	---

---

## PRODUCT PROFILE

---

Cook top type	ceramic
---------------	---------

---

Materials/Colour	white enamel
------------------	--------------

---

## LEFT FRONT ZONE

---

Left front Watts	1000
------------------	------

---

Left front number of cooking zones	1
------------------------------------	---

---

## RIGHT FRONT ZONE

---

Right front Watts	1200
-------------------	------

---

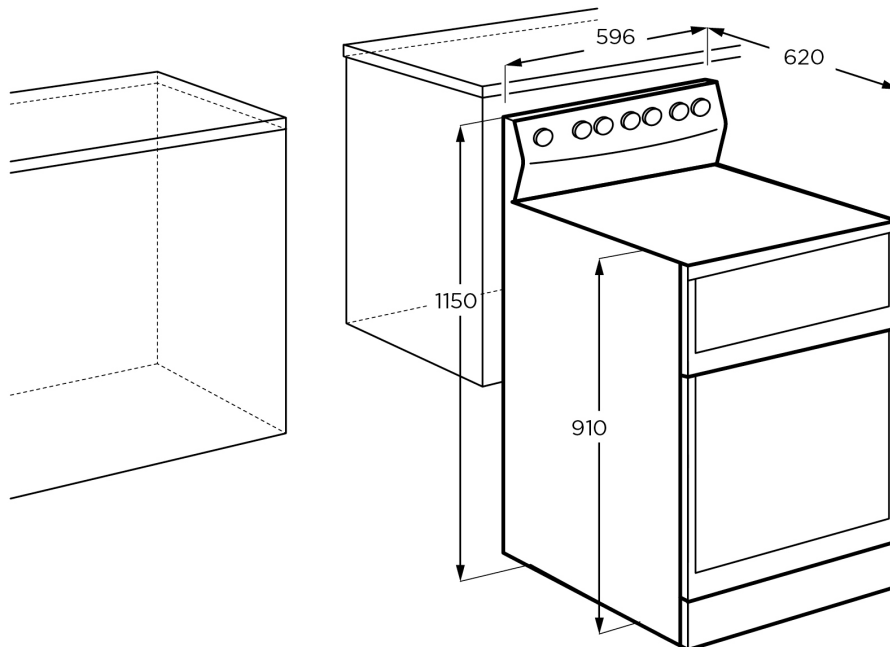
Right front number of cooking zones	1
-------------------------------------	---

---

## Dimensions

### 60cm Rear Control Freestanding Cooker, Separate Grill

WLE622WC, WLE642WC



**IMPORTANT**

These dimensions are a guide only. All measurements are in millimetres (mm).  
For complete installation instructions, refer to the manual provided with product.

# Terms and Conditions

## IMPORTANT

This is a guide of product dimensions only. For complete installation instructions, refer to the manual provided with product.

## PRODUCT INFORMATION

The descriptors and illustrations in this publication apply to the specific products and models described as at the date of issue. Under our policy of continuous product development, product specifications may change without notice. Prospective purchasers should therefore check with their retailer to ensure this publication correctly describes the products that are being offered for sale. All information supplied is to be used for general reference purposes only and is on the understanding that Electrolux Home Products Pty Ltd (Australia) and Electrolux (NZ) Ltd (New Zealand) will not be liable for any loss, liability or damage of whatever kind arising as a result of reliance on such information. Colours of products illustrated are as close as printing limitations allow. Electrolux will at all times comply with its obligations pursuant to law including Trade Practices (Australian Consumer Law) Act and Regulations.

## WARRANTY

This warranty only applies to Appliances purchased and used in Australia or New Zealand and used in normal domestic applications and is in addition to (and does not exclude, restrict, or modify in any way) any non-excludable statutory warranties in Australia or New Zealand. All warranties are subject to the conditions set out in the warranty card accompanying the product when purchased.

### ELECTROLUX HOME PRODUCTS AUSTRALIA

telephone: 1300 363 640

fax: 1800 350 067

email: [customercare@electrolux.com.au](mailto:customercare@electrolux.com.au)

web: [www.electrolux.com.au](http://www.electrolux.com.au)

### ELECTROLUX HOME PRODUCTS NEW ZEALAND

telephone: 09 573 2230

fax: 09 573 2221

email: [customercare@electrolux.co.nz](mailto:customercare@electrolux.co.nz)

web: [www.electrolux.co.nz](http://www.electrolux.co.nz)