

90cm stainless steel dual fuel freestanding cooker with a 5 burner gas cooktop, electric multi-function 8 Twin Fan oven, 14.4 mj/h wok burner, 1 set telescopic runners, programmable timer and 125L gross capacity.

RRP AUS \$2,799.00



Product Details

FEATURES

Twin Fan System	High powered 14MJ/h wok burner	Telescopic runners	Digital Programmable timer
Fast Heat Up	Cast iron trivets	Stainless steel	Large 125L gross oven capacity
Triple glazed oven door glass	Clip-on plinth included	Handy storage compartment Extra storage always comes in handy, so with a clever storage compartment you can easily stow away any extra pots and pans.	

BENEFITS

Twin fan system for even cooking
Cook each dish to perfection with the Twin Fan System. Fans rotate in opposite directions, distributing heat evenly throughout the oven, so you enjoy great results every time.

High-powered wok burner
Whip up tasty stir-fries and more with our high-powered wok burner. You'll get the high heat you need with 14.4 MJ/h of power at its highest setting.

Designed for ease and safety
Telescopic runners are another piece of thoughtful design that makes it easy to draw racks out and safely check on your dishes during cooking.

All the room for all your family favourites
If you are serious about creating delicious family feasts and you love entertaining, you'll be right at home with our 90cm oven with a generous 125L gross capacity. That's plenty of room for the biggest Christmas turkey or a weekend roast for all the family. The extra width makes getting things in and out super easy.

Built in Australia

Westinghouse, has been the heart of the home for generations and the kitchen appliance brand we have always known and trusted to build reliable products. This oven is built in a local factory in Adelaide.

Specifications

PRODUCT PROFILE

Domestic warranty details (yrs)	2
---------------------------------	---

Oven fuel	electric
-----------	----------

Materials/Colour	mark resistant stainless steel
------------------	--------------------------------

Controls of Oven	control knob
------------------	--------------

Cooling fan	Yes
-------------	-----

Plinth colour (kickboard)	stainless steel
---------------------------	-----------------

Anti tilt plate	Yes
-----------------	-----

Front/rear controls	front
---------------------	-------

MAIN OVEN

Gross capacity litres	125
-----------------------	-----

Useable capacity litres	116
-------------------------	-----

Oven function	multifunction
---------------	---------------

Number of functions	8
---------------------	---

DIMENSIONS

PRODUCT DIMENSION

Total height (mm)	910
-------------------	-----

Total width (mm)	895
------------------	-----

Total depth (mm)	600
------------------	-----

ELECTRICAL CONNECTION

Connected load KW	3.6
-------------------	-----

Maximum current rating (amps)	15
-------------------------------	----

Type of connection	hardwired
--------------------	-----------

MAIN OVEN

Oven liner	pyrolux high temperature enamel
Timer functions	duration,end,minute minder,oven start,Countdown,24 hour clock
Lights	2
Light wattage	25
Light position	top
Light activation by door	Yes
Layers of glass in door	3
Telescopic runners	one
Shelf support	Easy glide side racks
Number of shelves	2
Number of shelf positions	5
Closed door grilling	Yes

SHIPPING

Shipping Weight (Kg)	82
----------------------	----

STUFFING QUANTITIES

20ft	32
------	----

SHIPPING

Pack Dimensions Height (mm) 900

Pack Dimension Width (mm) 1000

Pack Dimension Depth (mm) 750

COOKTOP (IF APPLICABLE)

PRODUCT PROFILE

Cook top type gas

Materials/Colour stainless steel

Knob finish metalised

LEFT REAR ZONE

Left rear zone semi-rapid

CONTROLS

Position of controls front

STUFFING QUANTITIES

40ft 64

40ft HC 90

ELEMENTS/BURNERS

Cooking zones 5

FEATURES

Trivets cast iron

Ignition type electronic

GAS SPECIFICATIONS

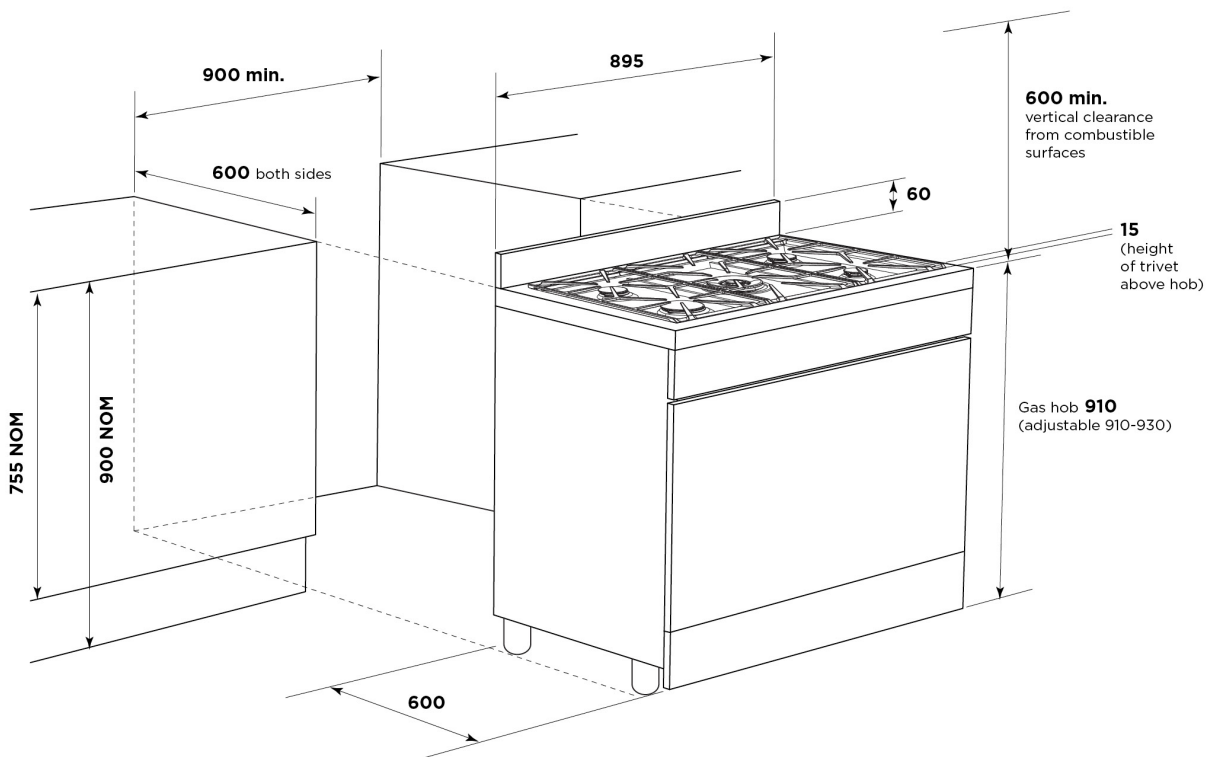
Maximum gas rating (NG) 49.4

Position of connection

rear right

Dimensions

WFE915SD,
WFE916DSD,
WFEP917DSD



IMPORTANT

These dimensions are a guide only. All measurements are in millimetres (mm).
For complete installation instructions, refer to the manual provided with product.

Terms and Conditions

IMPORTANT

This is a guide of product dimensions only. For complete installation instructions, refer to the manual provided with product.

PRODUCT INFORMATION

The descriptors and illustrations in this publication apply to the specific products and models described as at the date of issue. Under our policy of continuous product development, product specifications may change without notice. Prospective purchasers should therefore check with their retailer to ensure this publication correctly describes the products that are being offered for sale. All information supplied is to be used for general reference purposes only and is on the understanding that Electrolux Home Products Pty Ltd (Australia) and Electrolux (NZ) Ltd (New Zealand) will not be liable for any loss, liability or damage of whatever kind arising as a result of reliance on such information. Colours of products illustrated are as close as printing limitations allow. Electrolux will at all times comply with its obligations pursuant to law including Trade Practices (Australian Consumer Law) Act and Regulations.

WARRANTY

This warranty only applies to Appliances purchased and used in Australia or New Zealand and used in normal domestic applications and is in addition to (and does not exclude, restrict, or modify in any way) any non-excludable statutory warranties in Australia or New Zealand. All warranties are subject to the conditions set out in the warranty card accompanying the product when purchased.

ELECTROLUX HOME PRODUCTS AUSTRALIA

telephone: 1300 363 640

fax: 1800 350 067

email: customercare@electrolux.com.au

web: www.electrolux.com.au

ELECTROLUX HOME PRODUCTS NEW ZEALAND

telephone: 09 573 2230

fax: 09 573 2221

email: customercare@electrolux.co.nz

web: www.electrolux.co.nz