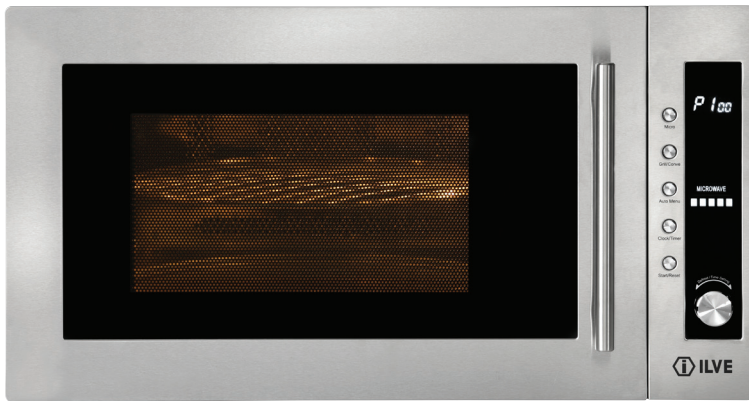


# Freestanding Microwave

## IVFSM34X



Perfect partners, our stainless steel microwave is designed to match perfectly with your choice of ILVE oven. Simple to use and made of the finest materials, with stainless steel used internally, this microwave is easily cleaned and maintained.

Because microwave oven units are usually fitted to supplement the built in oven, it is especially important that they match in design and colour. ILVE appliances are renowned for forming a perfectly integrated family of built in appliances.

### Available Colours



Stainless Steel



Pictured: IVFSM34X Microwave

# Freestanding Microwave

## IVFSM34X



### Model IVFSM34X

#### Feature

- 90 Minute digital timer
- 900 watt power output
- Clock & timer
- 5 power settings (100%, 70%, 50%, 30% & 10%)

#### Capacity

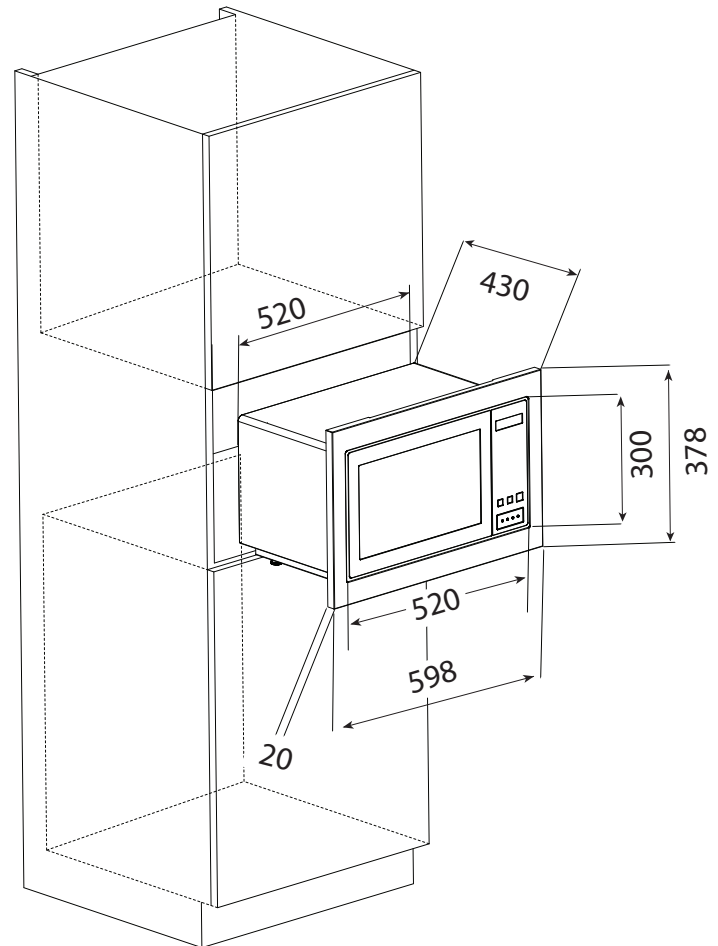
- Capacity: 31 Litres

#### Functions

- Defrost setting
- Auto-Menu - select the food type and weight, it will help you to automatically adjust the power and time (Rice, Vegetable, Meat, Noodles, Fish or Re-heat)
- Auto weight defrost - Select the food weight, it will automatically help you to adjust the power level and time
- Memory cooking function - You can memorise some frequently used cooking programmes

#### Accessories

- Trim kit is available: Model IVTK60
- Turntable



25062018

Built-in Microwave Model IVFSM34X  
Total electrical requirement: 10AMP GPO

Australia National Telephone Number 1300 MYILVE (694 583) New Zealand Telephone Number 0508 458 369  
ILVE showrooms are open Tuesday - Friday from 9am-5pm and Saturdays 10am-4pm. CLOSED Monday & Sunday

[ilve.com.au](http://ilve.com.au)

#### NSW & ACT (Head Office)

48-50 Moore Street  
Leichhardt  
F 02 8569 4699

#### VIC & SA

1211 Toorak Road  
Camberwell  
F 03 9809 2155

#### QLD

1/42 Cavendish Road  
Coorparoo  
F 07 3397 0850

#### WA & NT

Unit 10/55 Howe Street  
Osborne Park  
F 08 9201 9188

#### TAS (Crisp Ikin)

3 Pear Avenue  
Derwent Park, 7009  
P 03 6272 7386

#### New Zealand

PO Box 11.160  
Sockburn Christchurch  
F 03 344 5906

#### DISCLAIMER

Eurolinx PTY LTD, trading as ILVE Appliances, is continually seeking ways to improve the design specifications, aesthetics and production techniques of its products. As a result alterations to our products and designs take place continually. Whilst every effort is made to produce information and literature that is up to date, this brochure should not be regarded as an infallible guide to the current specifications, nor does it constitute an offer for the sale of any particular product. Product dimensions indicated in our literature is indicative only. Actual product only should be used to define dimension cutouts. Distributors, and retailers are not agents of ILVE Appliances and are not authorized to bind ILVE Appliances by any express or implied undertaking or representation.