

EFS54RC-DRW

54cm 5 Function Electric Freestanding Cooker

Euromaid



KEY FEATURES	
Finish	White
Oven Functions	5
Oven Capacity	83L
Grill Capacity	20L
Controls	Rotary knobs
Side Racks	Removable
Shelf Positions	5
Oven Light	Yes
Cooling System	Yes
Door Glass	Triple glazed
Timer	Digital
Programmable	Yes
Cooktop Type	Ceramic glass
Cooktop Elements	4
Power Levels	6

OVEN FUNCTIONS	
Function 1	Light
Function 2	Grill
Function 3	Fan Grill
Function 4	Fan Forced
Function 5	Defrost

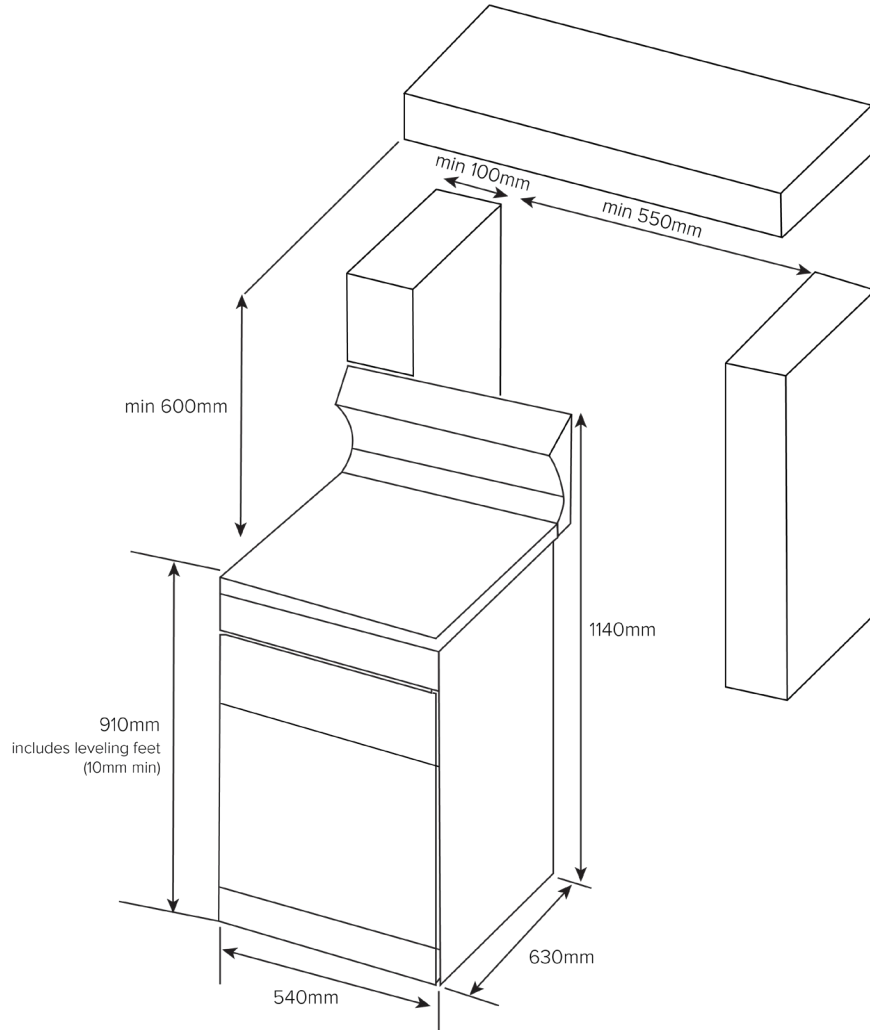
COOKTOP ELEMENTS	
Front Left	2100W
Front Right	1300W
Rear Left	1300W
Rear Right	1300W

ACCESSORIES	
Chrome Shelves	2
Tray + Grill Insert	1

EFS54RC-DRW

54cm 5 Function Electric Freestanding Cooker

Euromaid



INSTALLATION

Electrical Connection	Hardwired
Power	220 - 240V / 50 - 60Hz
Total Wattage	8490 - 10170W

DIMENSIONS (W x H x D)

Product Boxed (mm)	650 x 1200 x 750
Product Un-boxed (mm)	540 x 1140 x 630
Cut-Out (mm)	550 x 1510 x 630

*Cut out height includes minimum distance required to rangehood

WEIGHT

Product Boxed (kg)	66kg
Product Un-boxed (kg)	56.5kg

WARRANTY

2 Years	Parts and Labour
---------	------------------

VERSION NO. 20210827

Product and cut-out dimensions are to be used as a guide only. Please refer to actual product before installing, or refer to the instruction manual or website for full instructions

www.euromaid.com.au