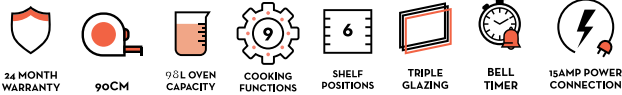


# MODEL CAO900B



## 90CM BUILT-IN ELECTRIC OVEN



## PRODUCT INFORMATION

### FEATURES

- Black glass
- Matt black handle & control knobs
- manual on
- 98 litres gross
- Oven cavity size: 64.5W x 33H x 41Dem usable cavity space
- 9 functions- light, defrost, grill, fan forced, bottom, convection, fan assisted, half fan grill, fan grill
- 6 cooking levels
- 120-minute bell timer
- EVER-Clean enamel oven cavity
- knob controls
- flat, easy-clean oven door
- triple-glazed glass door
- removable shelves
- cooling system

### ACCESSORIES

- 1 x telescopic rack
- 2 x grill racks
- 1 x baking dish



EAN 9347777003683

AR30072020

### DISCLAIMER

Eurolinx PTY LTD, is continually seeking ways to improve the design specifications, aesthetics and production techniques of its products. As a result alterations to our products and designs take place continually. Whilst every effort is made to produce information and literature that is up to date, this brochure should not be regarded as an infallible guide to the current specifications, nor does it constitute an offer for the sale of any particular product. Product dimensions indicated in our literature is indicative only. Actual product only should be used to define dimension cut outs. Distributors, and retailers are not agents of Eurolinx and are not authorized to bind Eurolinx by any express or implied undertaking or representation.

**FOLLOW US ON:** [instagram.com/artusi\\_appliances](https://www.instagram.com/artusi_appliances)

[www.linkedin.com/company/eurolinx-pty-ltd-t-a-llve/](https://www.linkedin.com/company/eurolinx-pty-ltd-t-a-llve/)

Australia National Telephone Number 1300 (694 583) New Zealand Telephone Number 64 3 344 5913  
 Artusi showroom hours: Tuesday to Friday - 9am-5pm, Saturday - 10am-4pm, Sunday and Monday - closed  
 \* Melbourne showroom hours: Tuesday to Saturday - 10am-4pm

[artusi.com.au](https://www.artusi.com.au)

**NSW & ACT (Head Office)**  
 48-50 Moore Street  
 Leichhardt  
 F 02 8569 4699

**VIC & SA**  
 1211 Toorak Road  
 Camberwell  
 F 03 9809 2155

**QLD**  
 1/42 Cavendish Road  
 Coorparoo  
 F 07 3397 0850

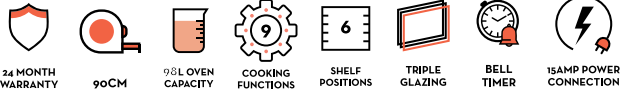
**WA & NT**  
 Unit 10/55 Howe Street  
 Osborne Park  
 F 08 9201 9188

**New Zealand**  
 PO Box 11,160  
 Sockburn Christchurch  
 F 03 344 5906

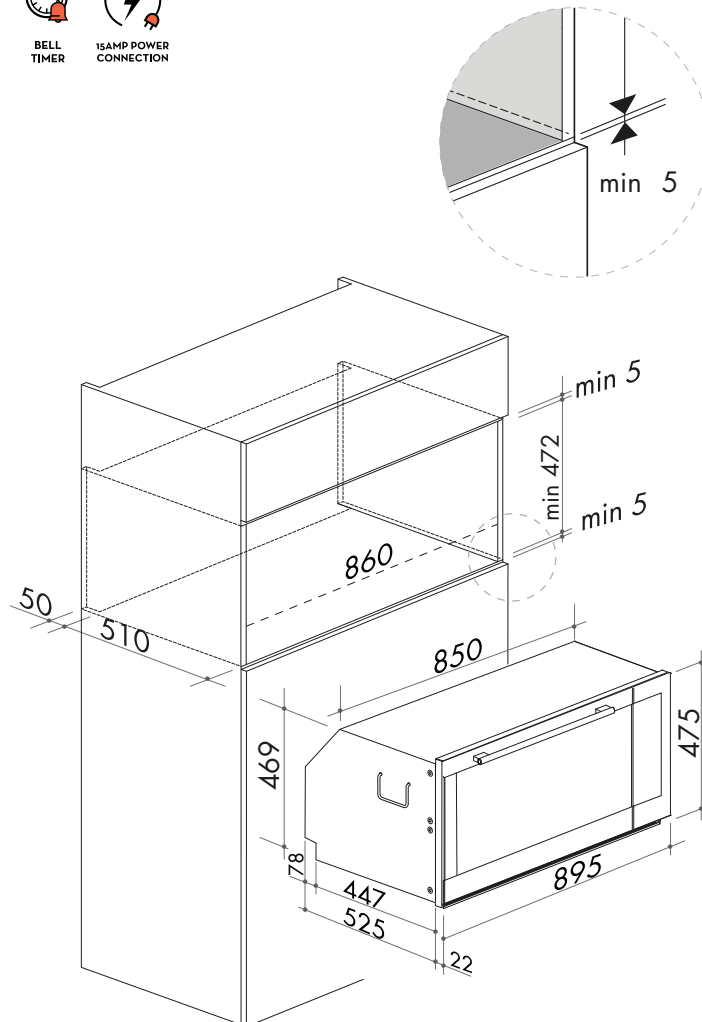
# MODEL CAO900B



## 90CM BUILT-IN ELECTRIC OVEN



### TECHNICAL DIAGRAM



NB: drawings are not to scale — they are to be used for detailed installation instructions, please refer to user guide.

**EAN 9347777003683**

**AR30072020**

#### DISCLAIMER

Eurolinx PTY LTD, is continually seeking ways to improve the design specifications, aesthetics and production techniques of its products. As a result alterations to our products and designs take place continually. Whilst every effort is made to produce information and literature that is up to date, this brochure should not be regarded as an infallible guide to the current specifications, nor does it constitute an offer for the sale of any particular product. Product dimensions indicated in our literature is indicative only. Actual product only should be used to define dimension cut outs. Distributors, and retailers are not agents of Eurolinx and are not authorized to bind Eurolinx by any express or implied undertaking or representation.

CAO900B Electric Built-in Oven  
3.5kW/hr total electrical consumption  
15 amp electrical connection, hard wired  
1.2m power cord length

**FOLLOW US ON:**  [instagram.com/artusi\\_appliances](https://www.instagram.com/artusi_appliances)

 [www.linkedin.com/company/eurolinx-pty-ltd-t-a-lv/](https://www.linkedin.com/company/eurolinx-pty-ltd-t-a-lv/)

Australia National Telephone Number 1300 (694 583) New Zealand Telephone Number 64 3 344 5913  
Artusi showroom hours: Tuesday to Friday - 9am-5pm, Saturday - 10am-4pm, Sunday and Monday - closed  
\* Melbourne showroom hours: Tuesday to Saturday - 10am-4pm

[artusi.com.au](https://www.artusi.com.au)

**NSW & ACT (Head Office)**  
48-50 Moore Street  
Leichhardt  
F 02 8569 4699

**VIC & SA**  
1211 Toorak Road  
Camberwell  
F 03 9809 2155

**QLD**  
1/42 Cavendish Road  
Coorparoo  
F 07 3397 0850

**WA & NT**  
Unit 10/55 Howe Street  
Osborne Park  
F 08 9201 9188

**New Zealand**  
PO Box 11,160  
Sockburn Christchurch  
F 03 344 5906