

# FREESTANDING DISHWASHER



**MODEL** ADW7003B



MADE IN EUROPE



24 MONTH WARRANTY



60CM



PLACE SETTINGS



9 WASH PROGRAMS



ECO WASH



PUSH BUTTON



DELAY TIMER



LOW NOISE



10AMP POWER CONNECTION



## PRODUCT INFORMATION

### FINISH

- black body

### CAPACITY

- 15 place setting

### FEATURES

- Electronic Control type
- Start/Pause button, DISPLAY (delay start, remaining time), Delay timer option- (1 through to 24hr)
- Program selection button
- Hidden heating element
- Turbidity sensor
- Temperatures (°C)- Auto-30°-40°-50°-60°-70°
- Turbo Drying system
- Circulation pump- Asynchronous
- Rinse-aid indicator, washing cycle indicators end of cycle indicator
- Adjustable upper basket when empty
- Noise Level (dB(A))- 47
- 3rd basket
- Upper basket
- Tablet option
- Metal Filter

### PROGRAMS

- 9 wash programs- Pre-wash, Mini 14', Quick 30', Eco, Super 50', Dual Pro Wash, Hygiene, Auto Delicate, Auto Intensive
- Half load option
- Extra Hygiene option
- Extra Dry option

### DISCLAIMER

Eurolinx PTY LTD, is continually seeking ways to improve the design specifications, aesthetics and production techniques of its products. As a result alterations to our products and designs take place continually. Whilst every effort is made to produce information and literature that is up to date, this brochure should not be regarded as an infallible guide to the current specifications, nor does it constitute an offer for the sale of any particular product. Product dimensions indicated in our literature is indicative only. Actual product only should be used to define dimension cut outs. Distributors, and retailers are not agents of Eurolinx and are not authorized to bind Eurolinx by any express or implied undertaking or representation.

### SAFETY

- Overflow & leakage protection
- heater protection



**EAN 9347777003836**

AR13082021

**FOLLOW US ON:** [instagram.com/artusi\\_appliances](https://www.instagram.com/artusi_appliances)

[www.linkedin.com/company/eurolinx-pty-ltd-t-a-llve/](https://www.linkedin.com/company/eurolinx-pty-ltd-t-a-llve/)

Australia National Telephone Number 1300 (694 583) New Zealand Telephone Number 64 3 344 5913  
Artusi showroom hours: Tuesday to Friday - 9am-5pm, Saturday - 10am-4pm, Sunday and Monday - closed  
\* Melbourne showroom hours: Tuesday to Saturday - 10am-4pm

[artusi.com.au](https://www.artusi.com.au)

**NSW & ACT (Head Office)**  
48-50 Moore Street  
Leichhardt  
F 02 8569 4699

**QLD**  
1/42 Cavendish Road  
Coorparoo  
F 07 3397 0850

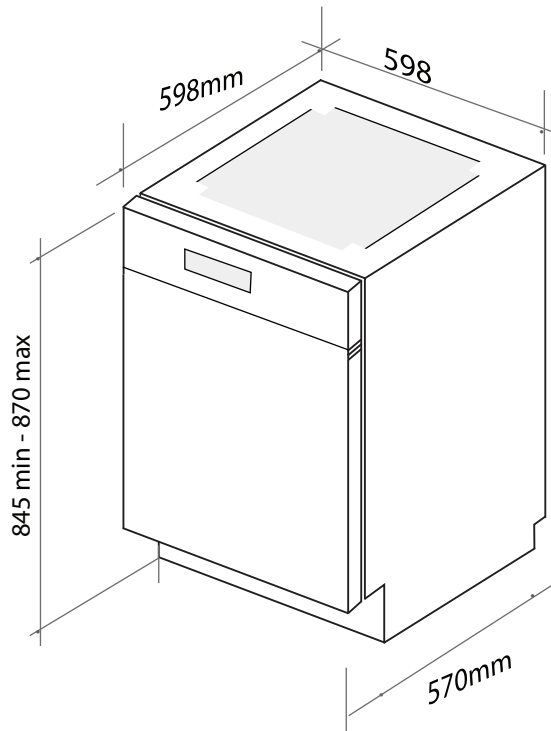
**WA & NT**  
Unit 10/55 Howe Street  
Osborne Park  
F 08 9201 9188

**New Zealand**  
PO Box 11.160  
Sockburn Christchurch  
F 03 344 5906

# FREESTANDING DISHWASHER

**MODEL** ADW7003B

## TECHNICAL DIAGRAM



Note: For built-in installation, please remove the lid of the appliances. Refer to the installation manual

NB: drawings are not to scale — they are to be used for detailed installation instructions, please refer to user guide.

**EAN 9347777003836**

AR13082021

### DISCLAIMER

Eurolinx PTY LTD, is continually seeking ways to improve the design specifications, aesthetics and production techniques of its products. As a result alterations to our products and designs take place continually. Whilst every effort is made to produce information and literature that is up to date, this brochure should not be regarded as an infallible guide to the current specifications, nor does it constitute an offer for the sale of any particular product. Product dimensions indicated in our literature is indicative only. Actual product only should be used to define dimension cut outs. Distributors, and retailers are not agents of Eurolinx and are not authorized to bind Eurolinx by any express or implied undertaking or representation.

ADW7003B Freestanding Dishwasher  
Built-in height without plastic lid 82cm  
Power cord 175mm  
Drain hose 180mm, Water hose 150mm  
10 AMP plug & lead

**FOLLOW US ON:**  [instagram.com/artusi\\_appliances](https://www.instagram.com/artusi_appliances)

 [www.linkedin.com/company/eurolinx-pty-ltd-t-a-llve/](https://www.linkedin.com/company/eurolinx-pty-ltd-t-a-llve/)

Australia National Telephone Number 1300 (694 583) New Zealand Telephone Number 64 3 344 5913  
Artusi showroom hours: Tuesday to Friday - 9am-5pm, Saturday - 10am-4pm, Sunday and Monday - closed  
\* Melbourne showroom hours: Tuesday to Saturday - 10am-4pm

[artusi.com.au](https://www.artusi.com.au)

**NSW & ACT (Head Office)**  
48-50 Moore Street  
Leichhardt  
F 02 8569 4699

**QLD**  
1/42 Cavendish Road  
Coorparoo  
F 07 3397 0850

**WA & NT**  
Unit 10/55 Howe Street  
Osborne Park  
F 08 9201 9188

**New Zealand**  
PO Box 11,160  
Sockburn Christchurch  
F 03 344 5906